

Amendments to the Drawings:

Attached are four (4) replacement sheets to replace sheets 1-4 of the drawings currently of record.

Figs. 1 and 4 are amended to extend the lead line from reference 42 to the bodyside liner.

Fig. 2 is amended to add a lead line from reference number 66 in the upper left hand corner to the corresponding structure.

Fig. 3 is amended to delete reference number 78 and the lead line extending therefrom.



FIG. 1

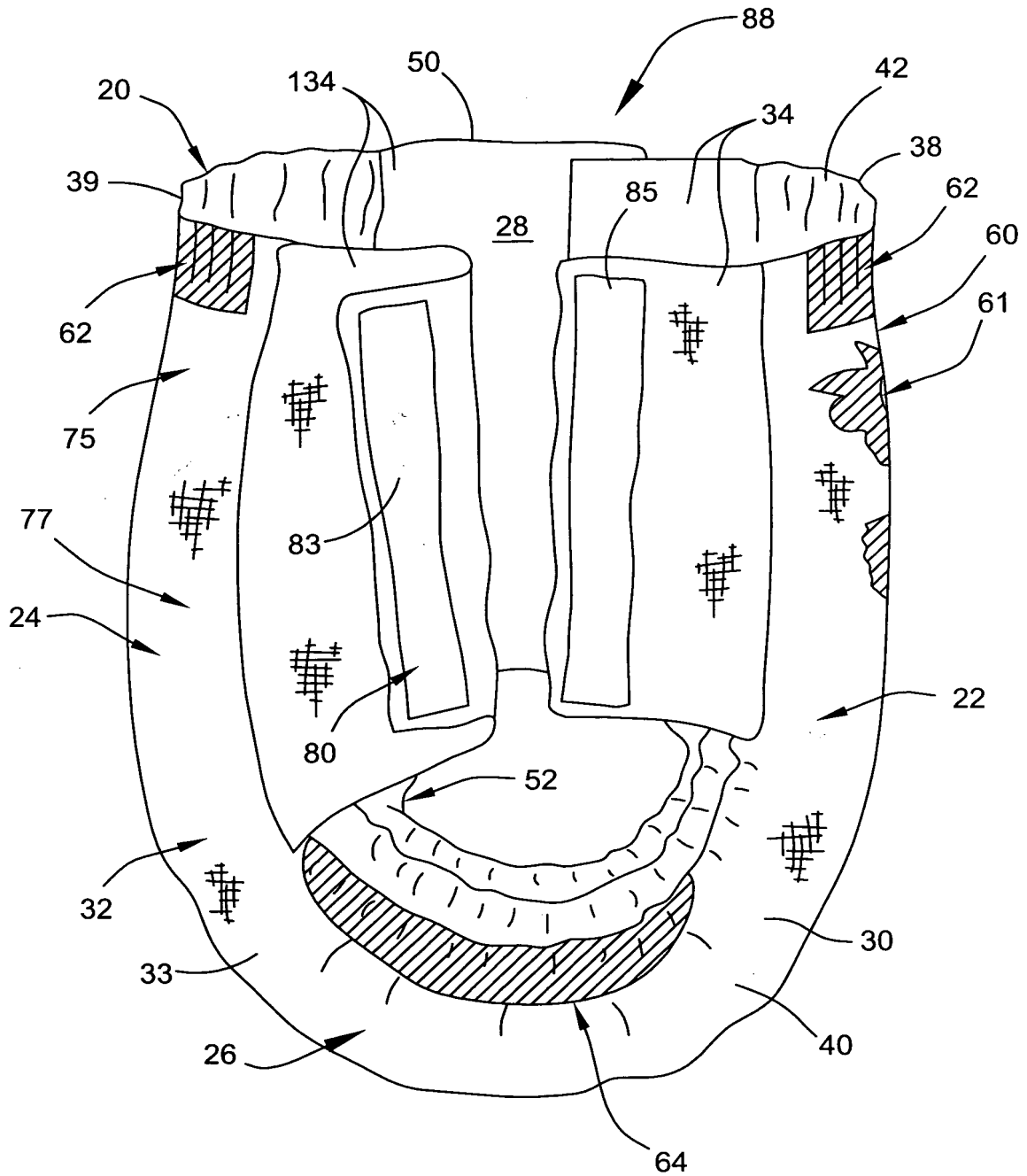




FIG. 2

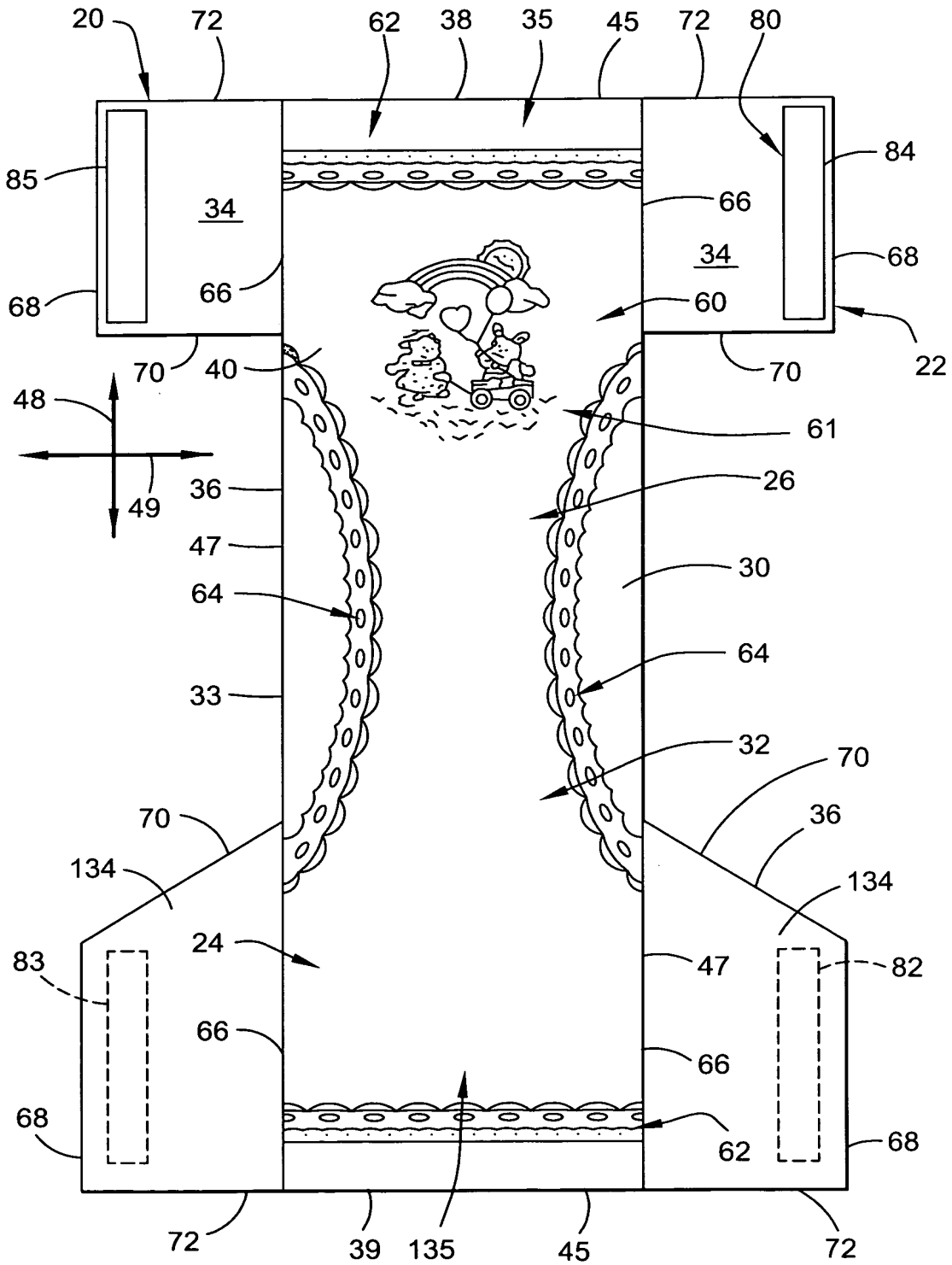




FIG. 3

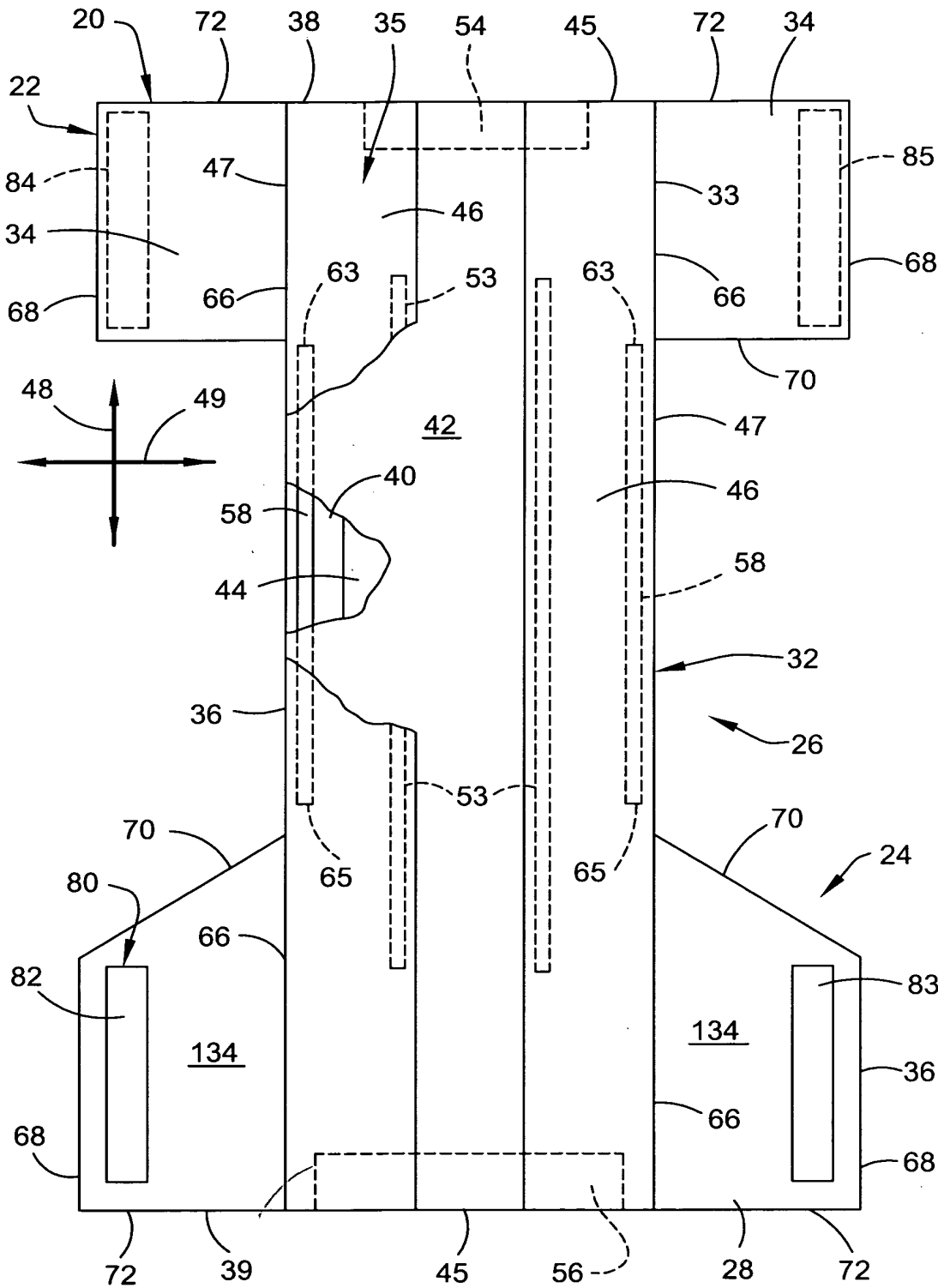




FIG. 4

